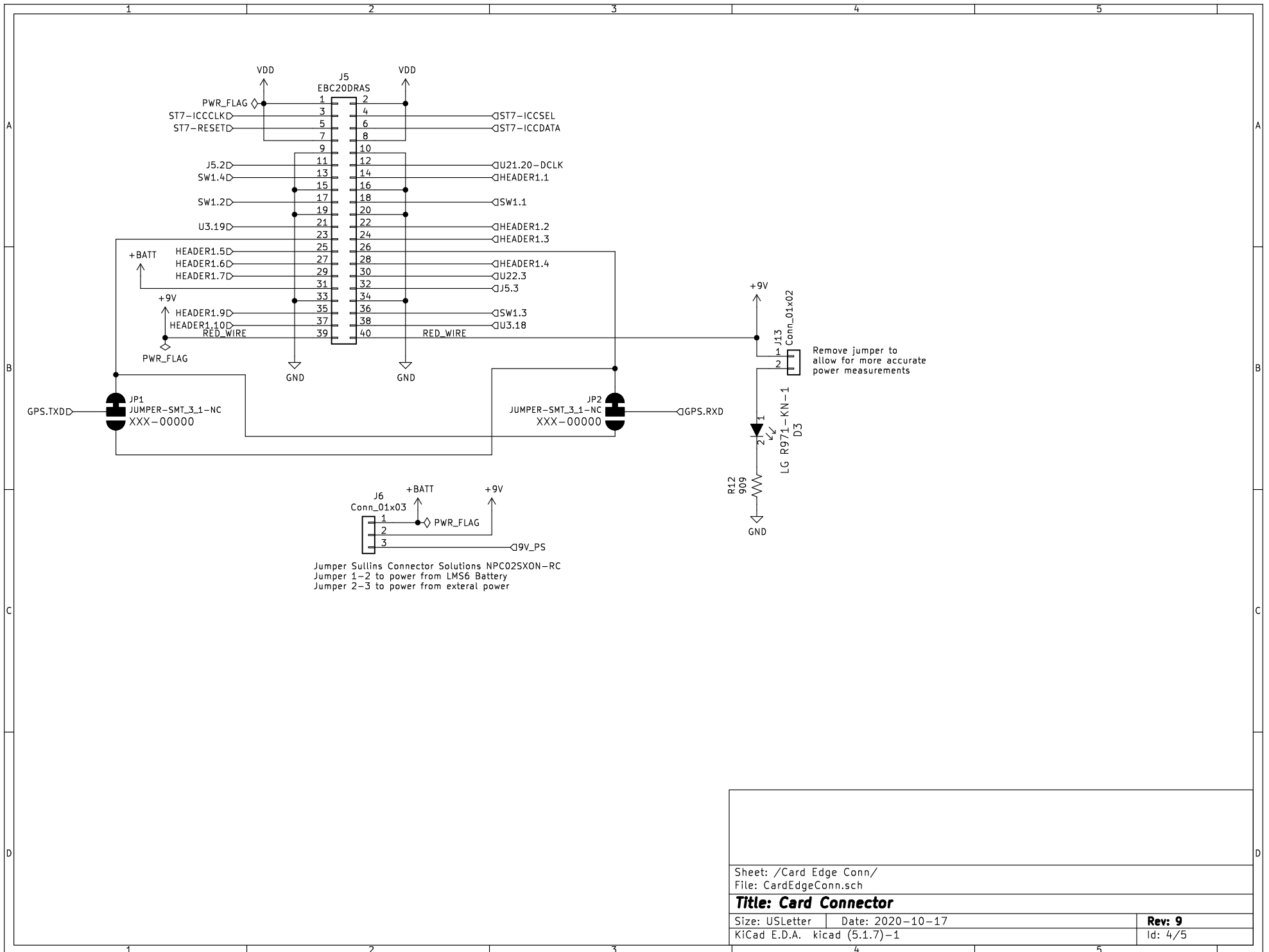


Sheet: /DC-DC Converter/
File: DC-DC Converter.sch

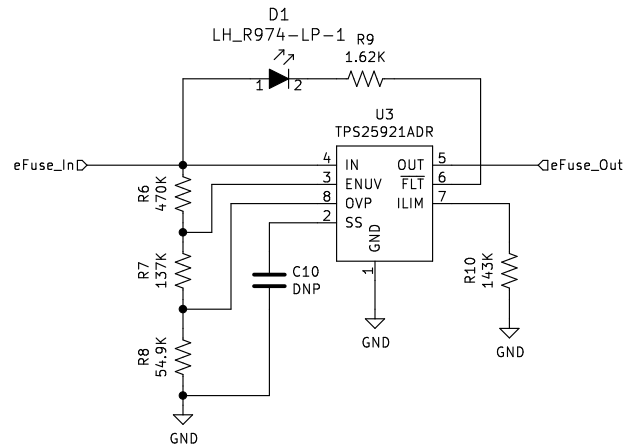
Title: DC-DC Converter

Size: USLetter Date: 2020-10-17
KiCad E.D.A. kicad (5.1.7)-1

Rev: 9
Id: 3/5



Sheet: /Card Edge Conn/	
File: CardEdgeConn.sch	
Title: Card Connector	
Size: USLetter	Date: 2020-10-17
KiCad E.D.A. kicad (5.1.7)-1	Rev: 9
	Id: 4/5



Power Failure Detection Threshold: ... 4.62V
 Release UVLO, Enable Chip: 4.79V
 Over Voltage Cut-off: 16.76V
 Release OV: 16.16 V

Current Limit: 1.51 A
 Current Limit Fast Trip: 2.39 A

Sheet: /eFuse/	
File: eFuse.sch	
Title: eFuse	
Size: USLetter	Date: 2020-10-17
KiCad E.D.A. kicad (5.1.7)-1	Rev: 9
	Id: 5/5